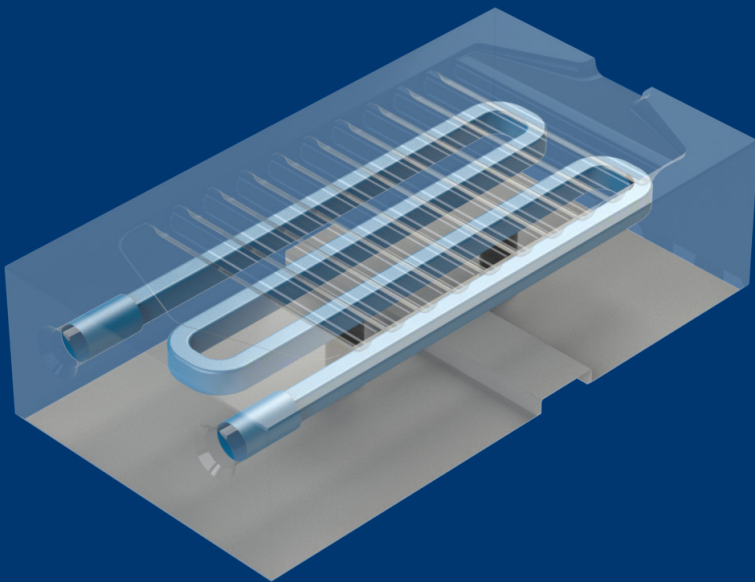
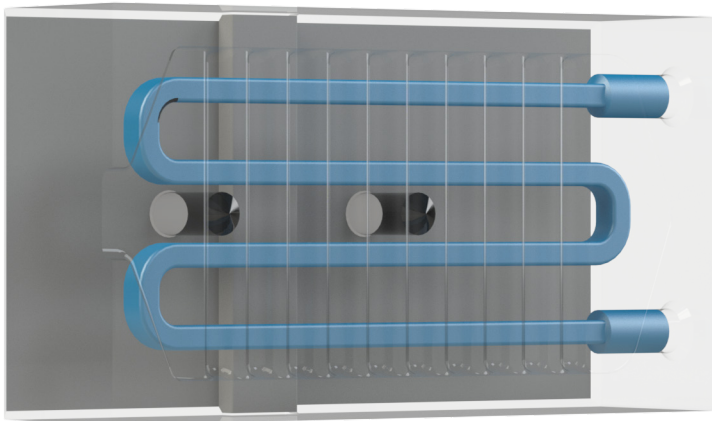


# DATA SHEET

## iTherm® Chill Vent



## iTherm® Chill Vent



### DESCRIPTION

iTherm® line of high performance Chill Vents is engineered for optimum venting. iTherm® Chill Vents have built in conformal-cooling circuit that assures immediate freeze of molten metal.

### MAIN ADVANTAGES

- Designed for high heat transfer
- Two standard design types; vacuum and non-vacuum, in both cases is possible to choose between 0,7 and 0,9 mm clearance.

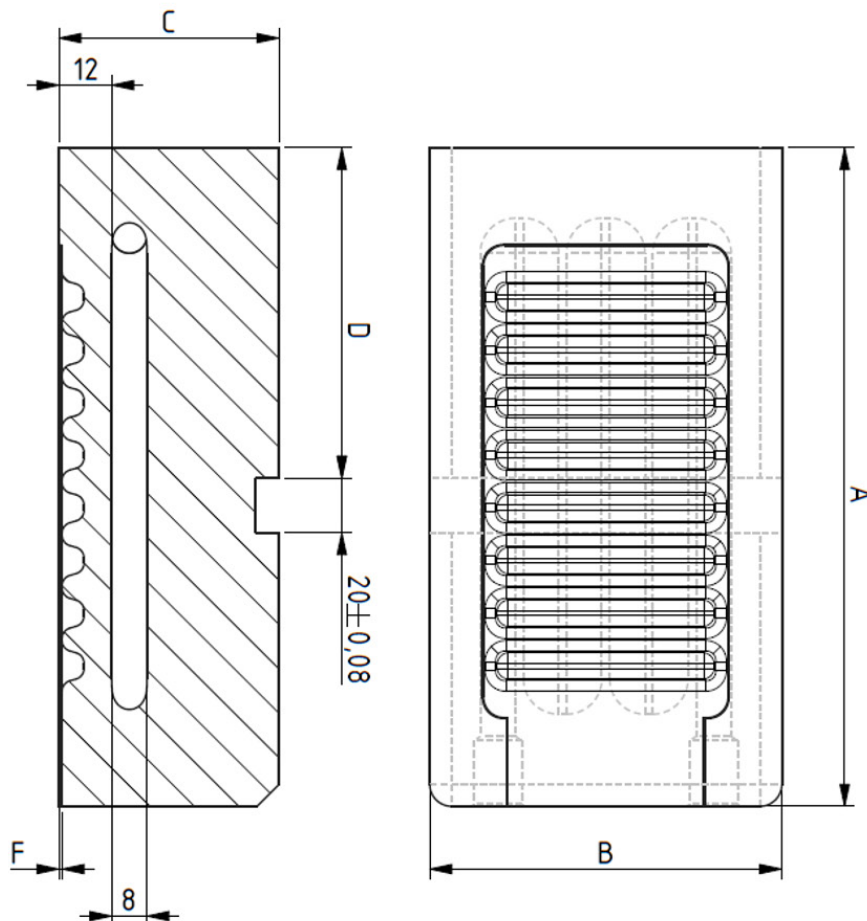
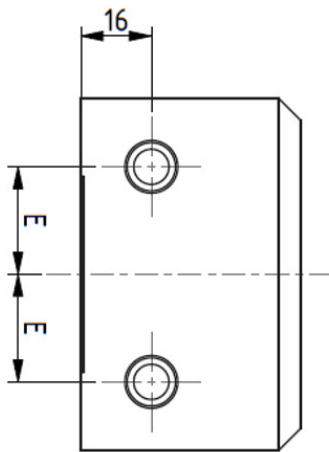
### GENERAL DIMENSIONS

	Part ID			
	CVV-S-C7/9	CVV-M-C7/9	CVV-L-C7/9	CVV-XL-C7/9
<b>A</b> <b>+0/-0,06</b>	135	155	175	185
<b>B</b> <b>+0/-0,05</b>	80	90	90	100
<b>C</b> <b>+0,05/-0</b>	50			
<b>D</b> <b>± 0,046</b>	55	55	65	65
<b>E</b>	24,5			
<b>F</b>	0,7/0,9			

All dimensions are in mm

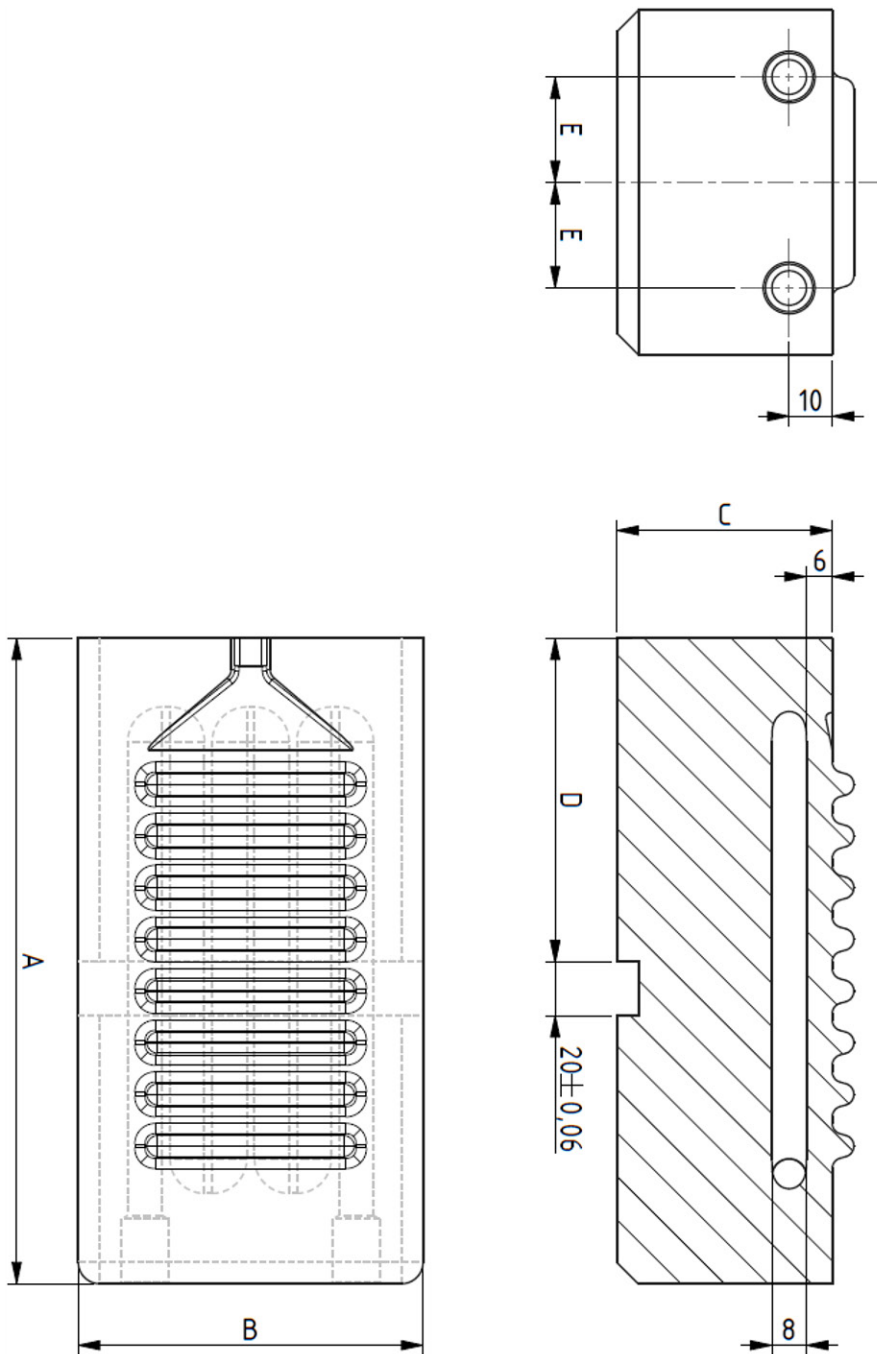
## iTherm® Chill Vent

### TOP HALF



## iTherm® Chill Vent

### BOTTOM HALF



**Do you need a slightly different  
design or component?**

**We got you covered.**

Contact our die casting professionals and we will do our best to match your requirements. You can count on us to support you through each step of performance improvement.

[sales@hts-ic.com](mailto:sales@hts-ic.com)